

THERMAL RANGE OF APPLICATION :  
 THERMISCHER ANWENDUNGSBEREICH: -40 °C....+80 °C  
 GAMME D'APPLICATION THERMIQUE:  
 CAMPO TERMICO D'APPLICAZIONE :

RESISTANT TO : AIR,WATER,MINERAL OIL,PETROL,DIESELOIL,SALTSPRAY  
 BESTÄNDIG GEGEN: LUFT,WASSER,MINERALÖL,BENZIN,DIESELÖL,SALZSPRUEHNEBEL  
 RESISTANT A : AIR,EAU,HUILE MINERALE,ESSENCE,GASOIL,BROUILLARD SALIN  
 RESISTENTE A : ARIA,AQUA,OLIO MINERALE,BENZINA,GASOLIO,NEBBIA SALINA

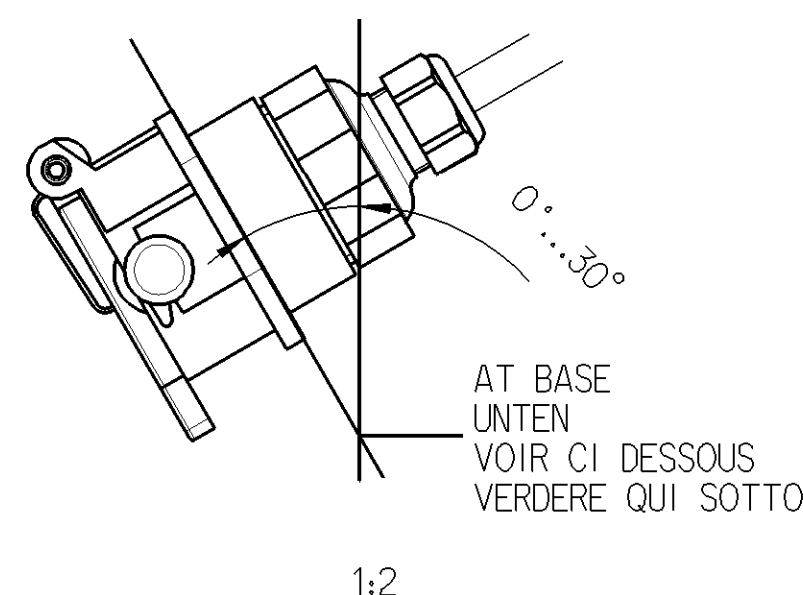
DEGREE OF PROTECTION (IN CONNECTION WITH PLUG) :  
 SCHUTZART (IN VERBINDUNG MIT STECKER) : A: IP 54  
 DEGRE DE PROTECTION (DANS CONNECTION AVEC FICHE): B: IP 67 / IP 6K 9K  
 GRADO DI PROTEZIONE (IN RELAZIONE CON SPINA) :

SURFACE PROTECTION :  
 OBERFLÄCHENSCHUTZ : \* Sn , \*\* Ni  
 PROTECTION DE SURFACE:  
 PROTEZIONE SUPERFICI :

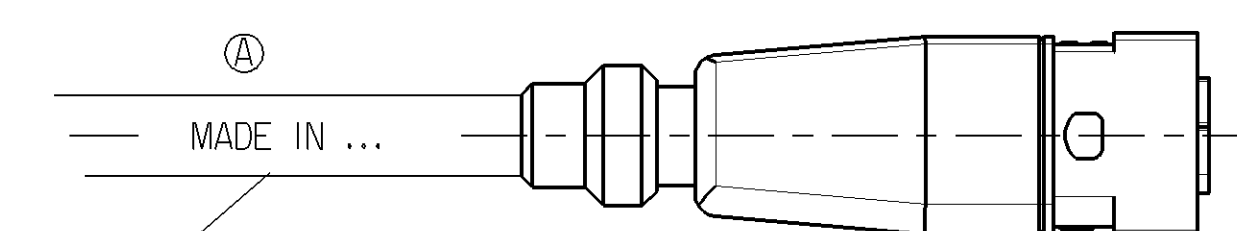
CABLES :  
 LEITUNGEN : PVC (A)  
 CABLES :  
 CAVI :

CHAMBER IN: KAMMER IN: CAMERA IN:	CABLE KABEL CAVO	WIRE COLOUR ADER FARBE FIL COLEURE FILO COLORE	CHAMBER IN: KAMMER IN: CAMERA IN:
1	4.0mm <sup>2</sup>	RED ROT ROUGE ROSSO	3
2	1.5mm <sup>2</sup>	BLACK SCHWARZ NOIR NERO (A)	1
3	1.5mm <sup>2</sup>	YELLOW GELB JAUNE GIALLO (A)	8
4	4.0mm <sup>2</sup>	BROWN BRAUN BRUN BRUNO	4
5	1.5mm <sup>2</sup>	WHITE WEISS BLANC BIANCO (A)	7
6	NOT CONNECTED NICHT BELEGT NE PAS CONNECTE(E) NON COLLEGATO(TA)		
7	NOT CONNECTED NICHT BELEGT NE PAS CONNECTE(E) NON COLLEGATO(TA)		

ADMISSIBLE INSTALLATION POSITION  
 ZULÄSSIGE EINBAULAGE  
 POSITION D'INSTALLATION ADMISE  
 POSIZIONE DI MONTAGGIO AMMESSA



IDENTIFICATION OF COUNTRY OF ORIGIN  
 KENNEICHNUNG WARENRSPRUNGSLAND  
 IDENTIFICATION DA PAYS D'ORIGINE  
 IDENTIFICAZIONE DEL PAESE D'ORIGINE



CODE OF LENGTH LAENGCODIERUNG CODE DE LA LONGUEUR CODICE DEL LUNGHEZZA	Part No TEILE NR. NO. DE PIECE CODICE	Length [m]
EXAMPLE BEISPIEL EXEMPLE ESEMPIO	449 125 □ □ □ 0	L = □_m
MIN/MAX LENGTH MIN/MAX LAENGE MIN/MAX LONGUEUR MIN/MAX LUNGHEZZA		L <sub>min</sub> = 0.1m L <sub>max</sub> = 20m
TOLERANCES TOLERANZEN TOLERANZEN TOLERANZA		L < 10m ±0.050m L > 10m ±0.075m

First production samples, samples from new or modified moulds or changes of every kind must be approved Engineering Department  
 Teile der ersten Produktion, Teile aus neuen oder geänderten Formwerkzeugen oder Änderungen jeglicher Art bedürfen der Genehmigung durch die Entwicklungsabteilung  
 Les premières pièces de production, les pièces provenant de nouveaux moules ou de moules modifiés, ou toutes autres modifications, doivent être approuvées par le département des études  
 Campioni di inizio produzione, campioni ottenuti con stampi nuovi o modificati o con qualsiasi genere di modifica devono essere approvati dall'ufficio tecnico.

General Specifications: JED-334-0 - Size ISO 14405-1 E		Copyright WABCO®		WABCO	
Further Technical Data:		Date	Drawn	Signature	
Doc. Code:	Sheet: To:	2013-03-04	Grychowicz	SUPPLY CABLE VERSORGUNGSLEITUNG MIT ABS-STECKDOSE CABLE D'ALIMENTATION CAVO DI ALIMENTAZIONE	
General Tolerances JED-261		Checked	Gruenderker	Expert Nieber	
Range of Nominal Dimensions ( ± mm)		Material No.		Date of first issue	
Class 1)	≤ 50 > 50 > 180 > 400	449 125 000 0		053 ML 1/1	
Fine	0.5 1.0 1.5 2.0	Revision		Tech. Resp.	
Medium	1.0 2.0 3.0 4.0	7x A		6390_EM	
Coarse	2.0 3.5 5.0 6.5	Tapped Holes acc.		Replacement for	
Tapped Holes acc.		A 1 Pro/E		159549	
1) Tolerance Class Applied Crossmarked		100mm			

Non è permesso copiare o tradurre questo documento, né utilizzare il contenuto a meno che non sia autorizzato dalla WABCO. Toute réimpression ou reproduction de ce document, toute exploitation ou communication de son contenu sont interdites, sauf autorisation écrite de la WABCO. No part of this document may be reproduced, stored in a retrieval system, or transmitted, in any form or by any means, electronic, mechanical, photocopying, recording, or by any information storage and retrieval system, without the prior written permission of WABCO. Copyright of this document and graphic is the property of WABCO. All rights reserved. No part of this document may be reproduced, stored in a retrieval system, or transmitted, in any form or by any means, electronic, mechanical, photocopying, recording, or by any information storage and retrieval system, without the prior written permission of WABCO.