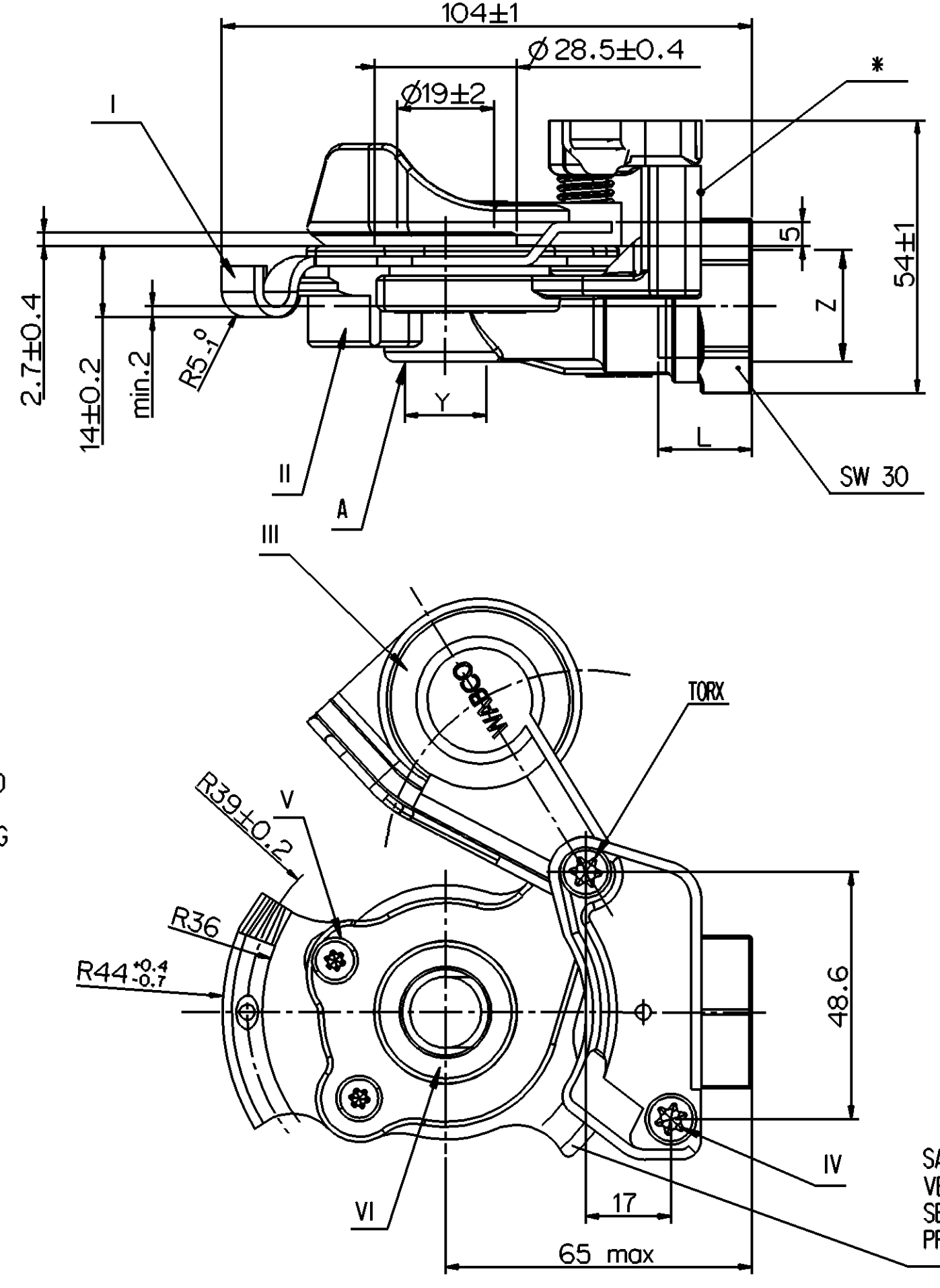


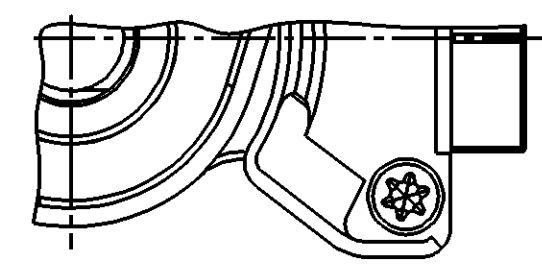
MATERIAL AND SURFACE PROTECTION		
I	JED-475-2	JED-257
II	JED-029M1	JED-259
III	PP	-
IV	8.8	JED-257
V	8.8	JED-257
VI	JED-7080M	-

USAGE VERWENDUNG UTILISATION APPLICAZIONE	CONTROL LINE BREMSLEITUNG CONDUITE DE COMMANDE TUBAZIONE DEL FRENO		
SYMBOL SYMBOL SYMBOL SYMBOL	ISO 1219		
DESIGNATION BEZEICHNUNG DESIGNATION DESIGNAZIONE	SYMBOL SYMBOL SYMBOL SYMBOL	UNIT EINHEIT UNITE UNITA	VALUE WERT VALEUR VALORE
WORKING TEMPERATURE THERMISCHER ARBEITSBEREICH TEMPERATURE DE FONCTIONNEMENT TEMPERATURA DI UTILIZZAZIONE	T	°C	-40°+80°
MAX INLET PRESSURE MAX BETRIEDSDRUCK PRESSION D'ALIMENTATION MAXI PRESSIONE MASSIMA D'ALIMENTAZIONE	P	BAR	8.5
WORKING POSITION EINBAULAGE POSITION DE FONCTIONNEMENT POSIZIONE DE FUNZIONAMENTO	UNIMPORTANT BELIEBIG INDIFFERENTE INDIFFERENTE		
WORKING MEDIUM ARBEITSMEDIUM FLUIDE D'UTILISATION FLUIDO DI ESERCIZIO	COMPRESSED AIR DRUCKLUFT AIR COMPRIME ARIA COMPRESSA		
NORM NORM NORME NORMA	ISO 1728		
AMBIENT MEDIUM UMGEBUNGSMEDIUM FLUIDE AMBIANT FLUIDO AMBIENTE	AIR (CONTAINING WATER DUST AND OIL) LUFT (WASSER-, STAUB- UND OELHALTIG) AIR (HUMIDE, HUILEUX, POUSSIEREUX) ARIA (ACQUA, POLVERE ED OLIO INQUINATO)		



SAFEGUARD AGAINST CROSS-COUPLING  
VERTAUSCHSICHERUNG  
SECURITEEN CAS DE DEFAUT DE CONNEXION  
PROTEZIONE CONTRO CONNESSIONE INCORRETTA

DETAIL C  
ONLY FOR VARIANTS WITHOUT THE SAFEGUARD  
NUR FÜR VARIANTEN OHNE VERTAUSCHSICHERUNG



452 200 000 0		M22X1.5	-	-	min 15,5	A	-	-
452 200 004 0		M22X1.5	-	-	min 15,5	A	-	BLACK, SCHWARZ, NOIR, NERO
452 200 012 0		M22X1.5	-	-	min 15,5	A	+	YELLOW, GELB, JAUNE, GIALLO
952 200 022 0		M16X1.5	-	-	min 13	A	+	YELLOW, GELB, JAUNE, GIALLO
952 200 023 0		M16X1.5	JED-464	-	min 13	A	-	BLACK, SCHWARZ, NOIR, NERO
952 200 033 0		M16X1.5	JED-464	-	min 15,5	A	+	YELLOW, GELB, JAUNE, GIALLO
952 200 034 0		M16X1.5	JED-464	M16X1.5	min 13	A	+	YELLOW, GELB, JAUNE, GIALLO
952 200 040 0		M16X1.5	JED-464	M16X1.5	min 13	B	+	YELLOW, GELB, JAUNE, GIALLO
IDENTIFICATION BENENNUNG DENOMINATION DENOMINAZIONE	CUSTOMER NO. KUNDEN-NR. NO. DU CLIENT NO. CLIENTE	Z	REMARKS	Y	L	DESIGN AUSFUEHRUNG ESECUZIONE	SAFEGUARD VERTAUSCHSICHERUNG SECURITEEN PROTEZION	COVER VERSCHLUSSDECKEL COUVERCLE COPERCHIO

\* WABCO DEVICE NO., DATE OF MANUFACTURE  
WABCO-GERATE NR., HERSTELLDATUM  
NUMERO DE L'APPAREIL WABCO, DATE DE FABRICATION  
NUMERO DELL'APPARECCHIO WABCO, DATA DI FABBRICAZIONE

111851	G	06-12-12
066021	F	06-04-06
065347	E	06-03-21
087122	4x D	03-07-22
DCN-No.	Rev.	Date
State of Revision		

General Specification: JED-334-0		Copyright WABCO®		
Further Technical Data:		Date	Signature	
Doc. Code:	Sheet: To	2006-02-10	BERGHOFF	
General Tolerances JED-261		Checked	HRS	
Range of Nominal Dimensions (± mm)		Expert	BUCZYLKO	
Class 1)	≤ 50	> 50 ≤ 180	> 180 ≤ 400	> 400
Fine	0,5	1,0	1,5	2,0
Medium	X 1,0	2,0	3,0	4,0
Coarse	2,0	3,5	5,0	6,5
Tapped Holes acc. JED-152		Mass	Scale	
1) Tolerance Class Applied Crossmarked		0,22	1:1	
		Size	TR1	
		A 2	540	

WABCO		Material No.		WABCO Id. No.: 9528970060	
HOSE COUPLING KUPPLUNGSKOPF TETE D'ACCOUPEMENT TESTA D'ACCOPIAMENTO		Doc.Code	Language	Sheet	
		653	en/de fr/it	1/1	
Function Code		CAD System	Prod.Type	Replacement for	
A 2		Pro/E	0 0 X		

Non è permesso copiare o terzi o riprodurre questo documento, né utilizzare il contenuto o renderlo comunque noto a terzi senza permesso scritto dalla WABCO. È vietata espressamente la ristampa o l'uso non autorizzato. E' fatto riserva di tutti i diritti. Copying of this document and giving it to others and the use or communication of the contents thereof, are forbidden without express written permission from WABCO. All rights are reserved in the event of the grant of patent or registration of a utility model or design. This document is the subject of copyright.

Toute communication ou reproduction de ce document, toute exploitation ou communication de son contenu sont interdites, sauf autorisation expresse. Tout emprunt ou toute réimpression ou utilisation non autorisée sans le consentement écrit de WABCO est formellement interdite. Toute utilisation non autorisée sans le consentement écrit de WABCO est formellement interdite. E' fatto riserva di tutti i diritti. Copying of this document and giving it to others and the use or communication of the contents thereof, are forbidden without express written permission from WABCO. All rights are reserved in the event of the grant of patent or registration of a utility model or design. This document is the subject of copyright.