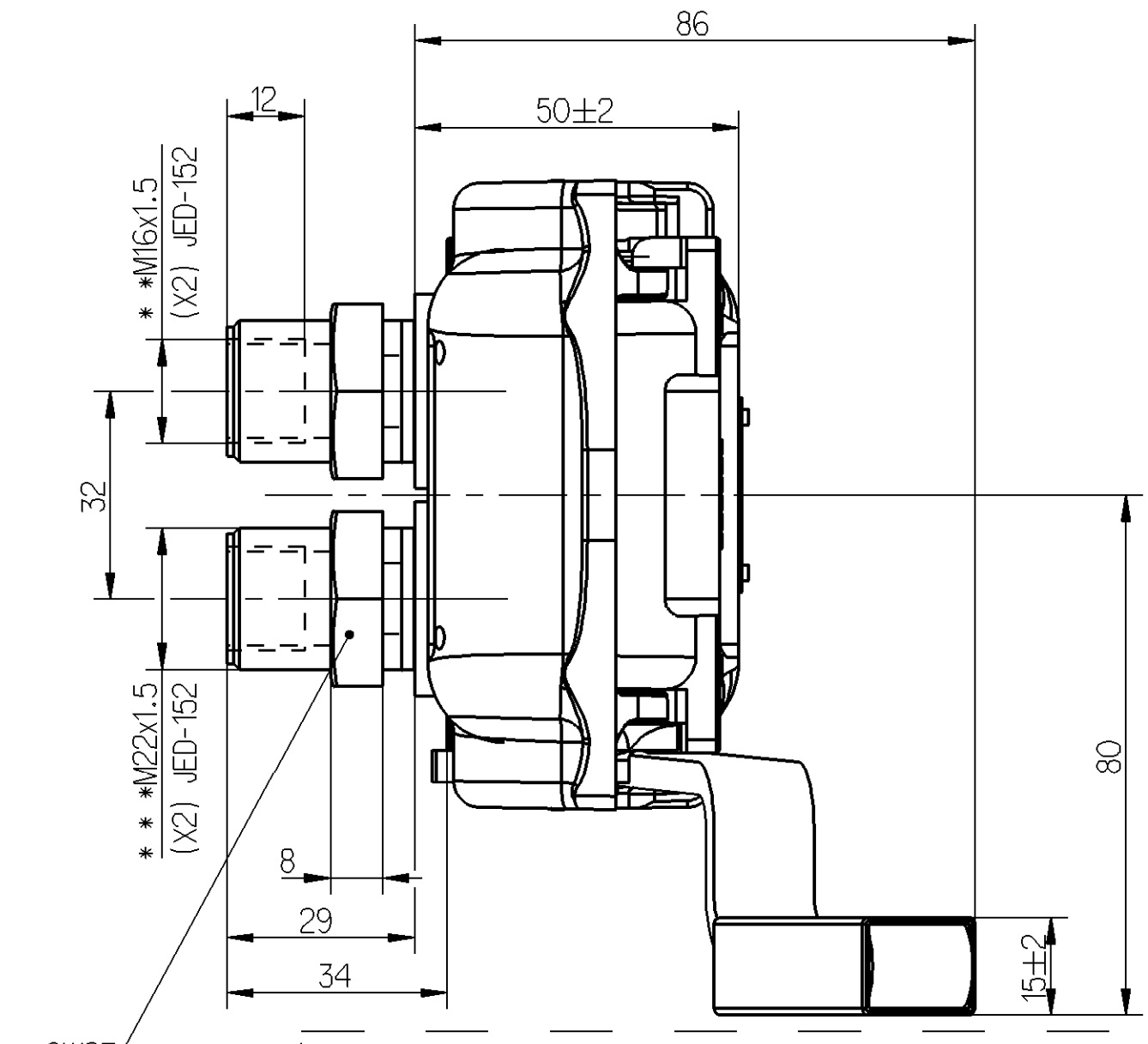
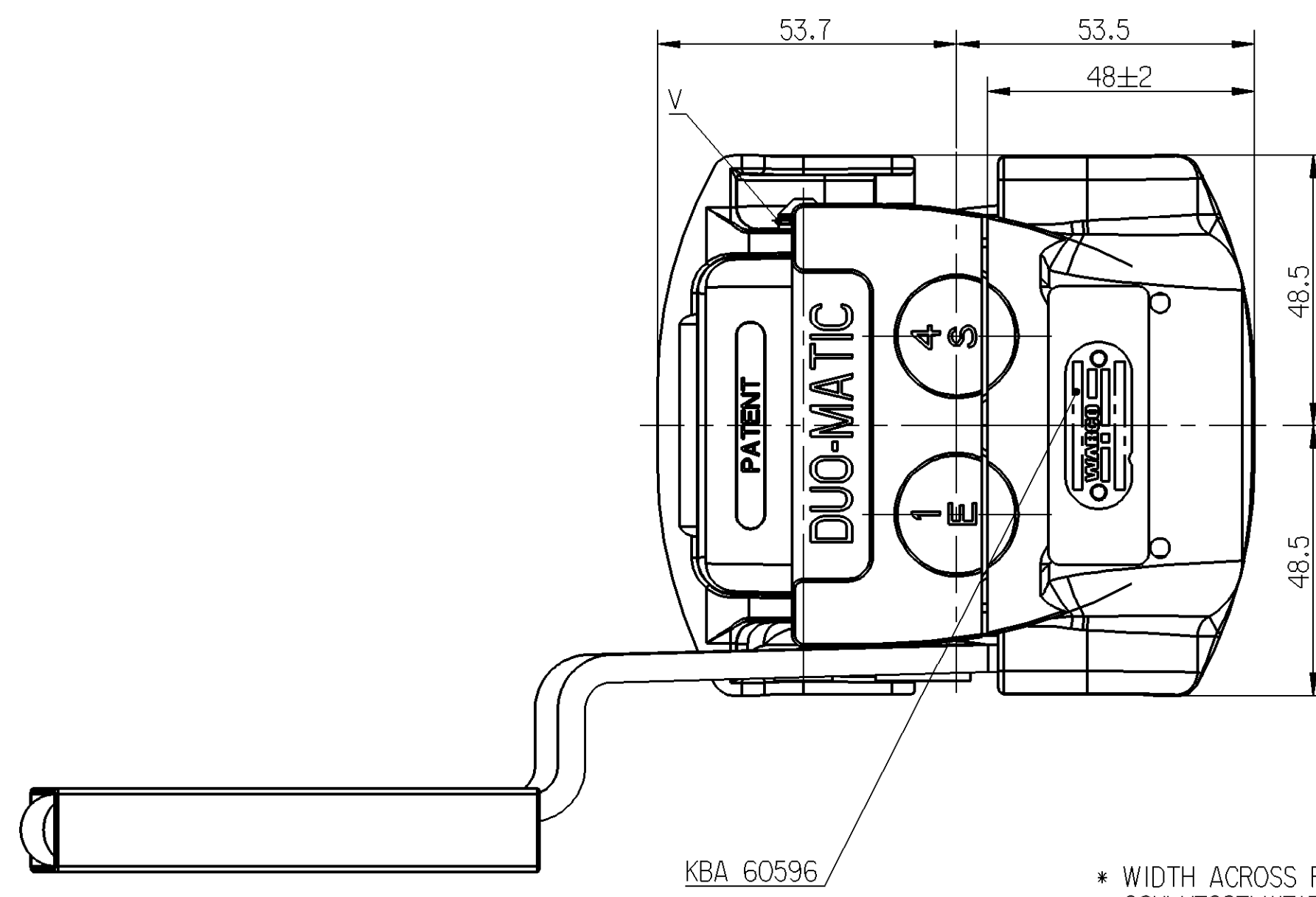
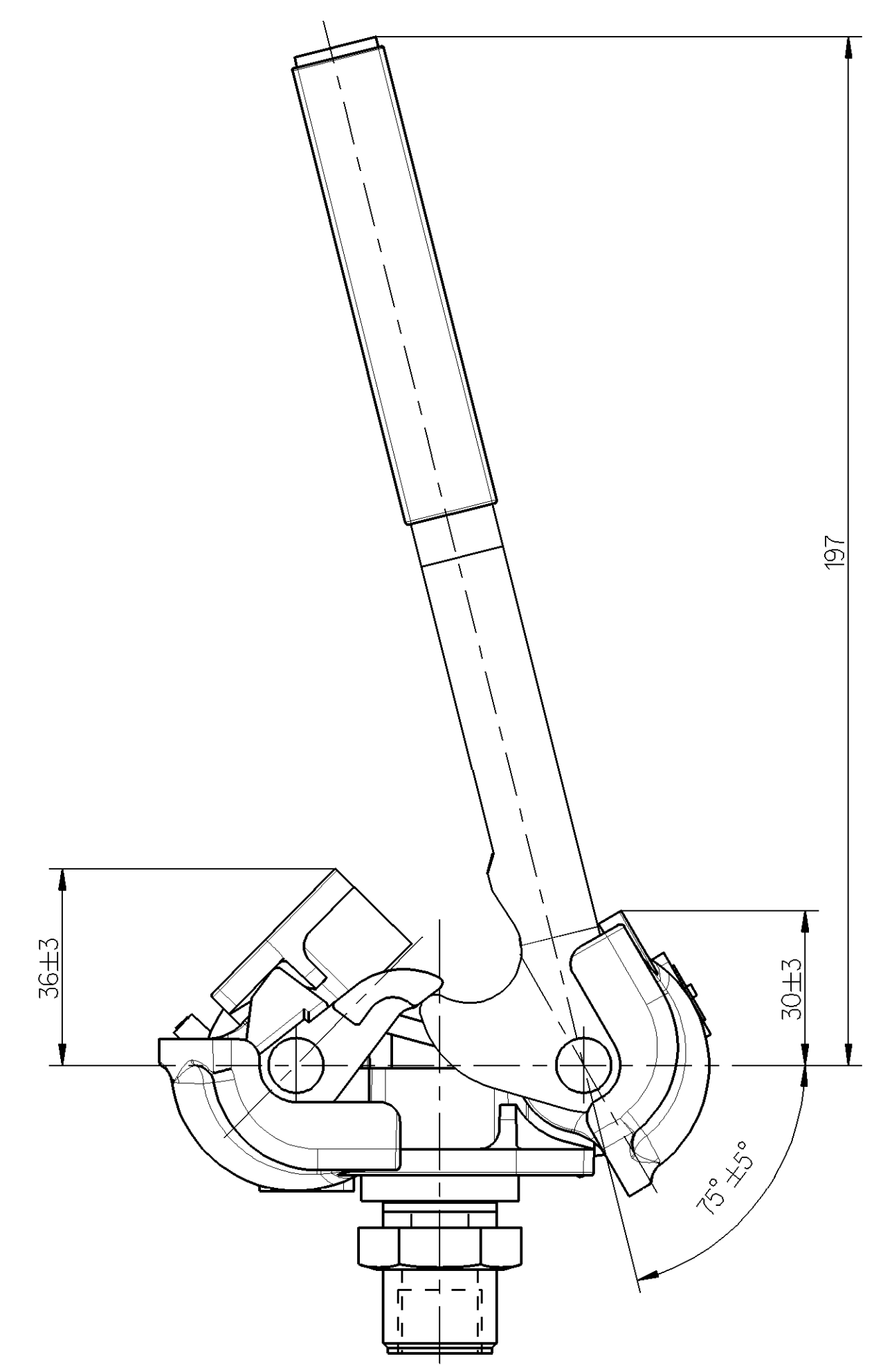
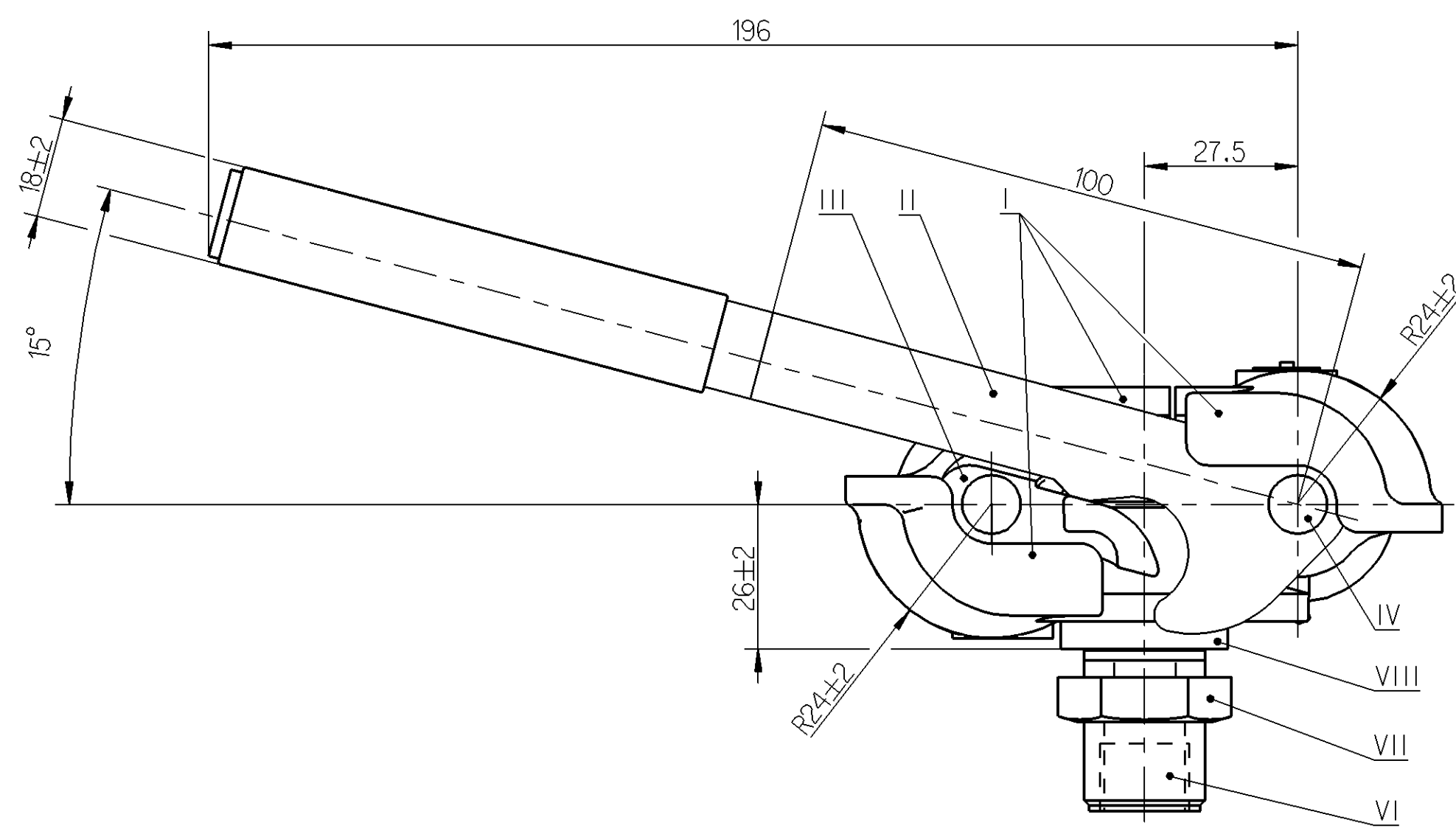


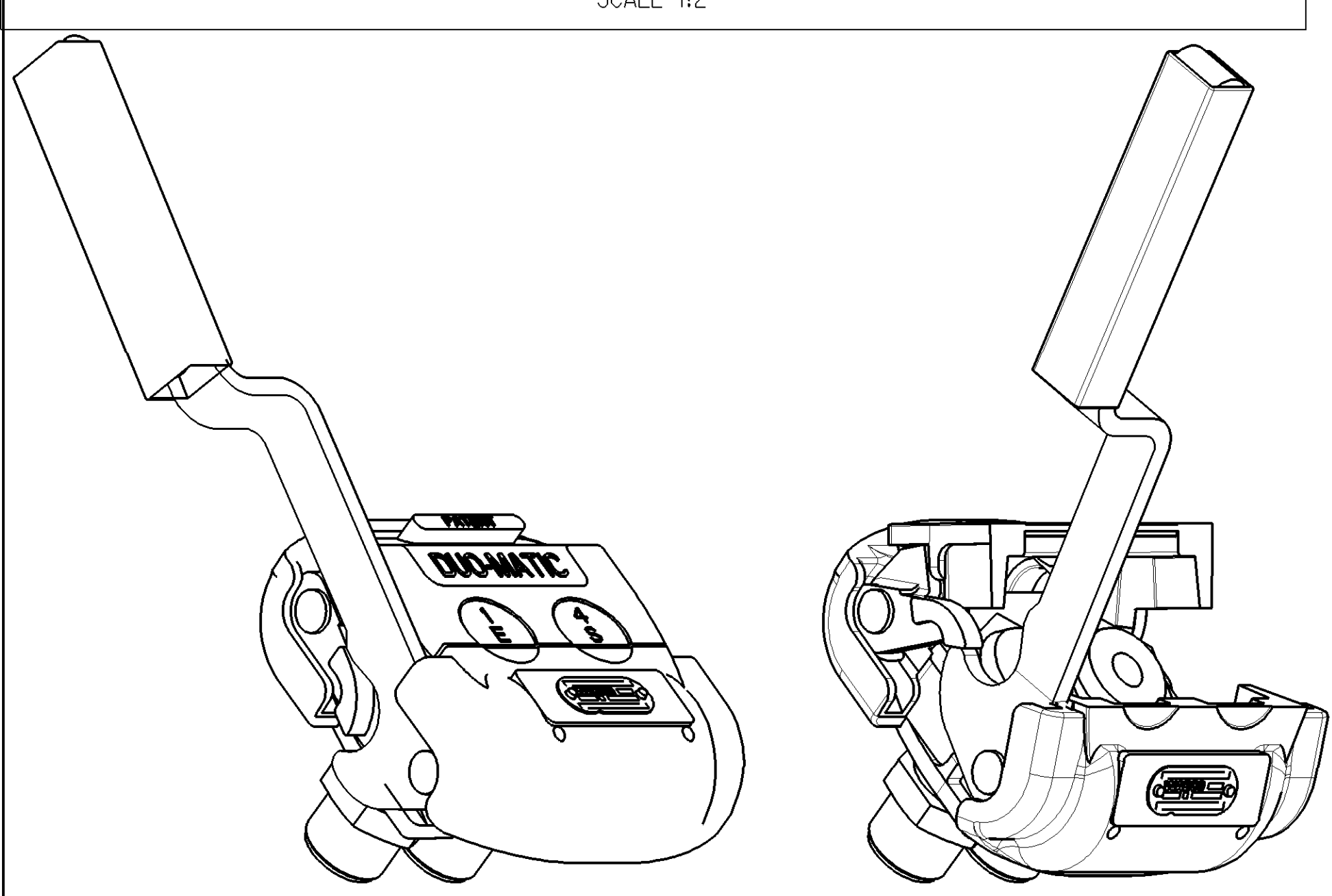
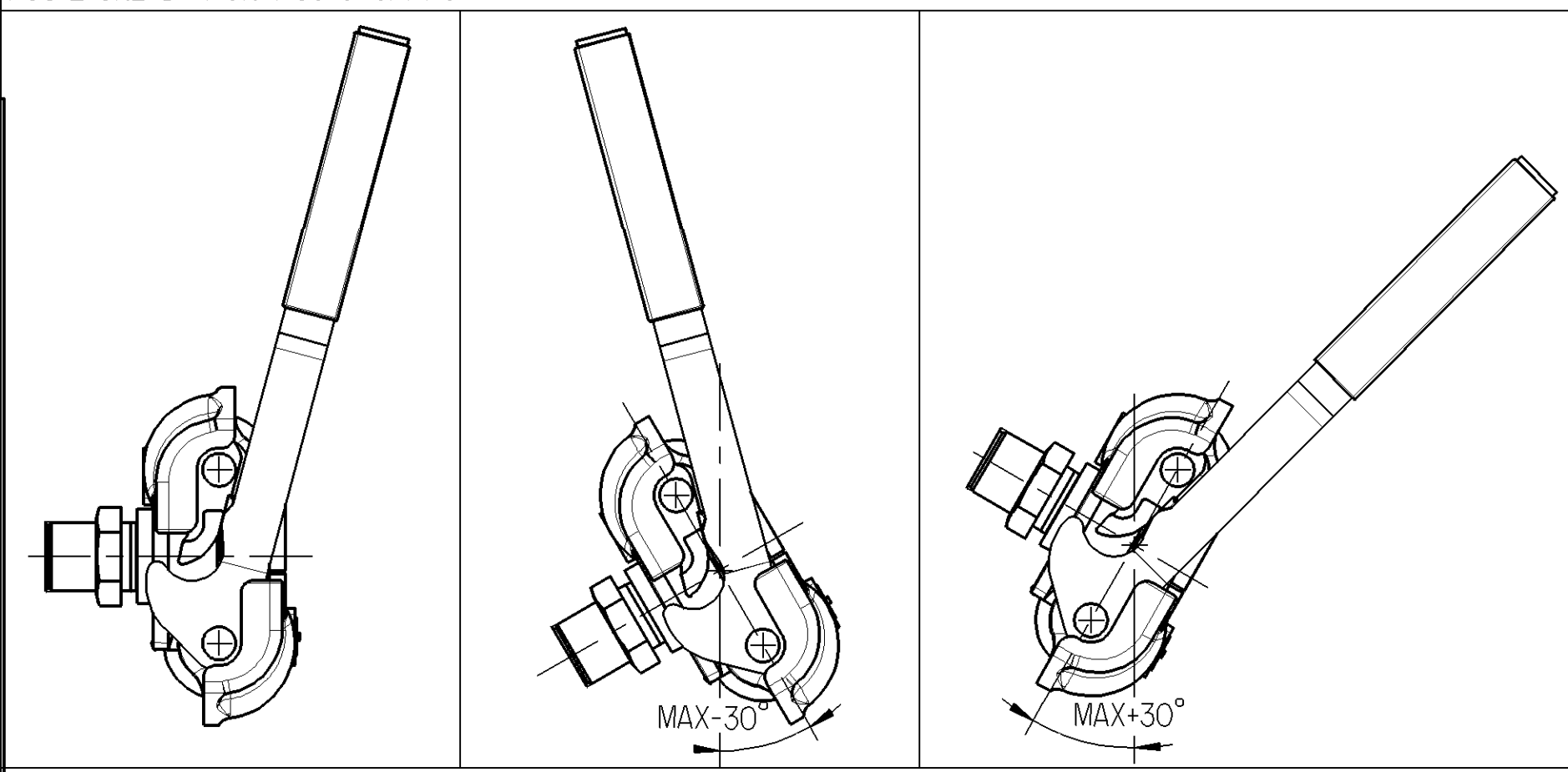
A	WORKING MEDIUM ARBEITSMEDIUM FLUIDE D'UTILISATION FLUIDO DI ESERCIZIO	AIR LUFT (JED-848) AIR ARIA
	SHORT TERM RESISTANCE TO HEAT KURZZEITIGE WAERMEBESTAENDIGKEIT RESISTANCE THERMIQUE TEMPORAIRE RESISTENZA TERMICA PER BREVE PERIODO	MAX. 1h AT 110°C
B	WORKING PRESSURE (SUPPLY) BETRIEBSDRUCK (VORRAT) PRESSION DE SERVICE (ALIMENTATION) PRESSIONE DI ESERCIZIO (ALIMENTAZIONE)	10 BAR
	TORQUE ANZUGSMOMENT *(SW27) COUPLE DE SERRAGE COPPIA DI SERRAGGIO	45±5 Nm
	TORQUE ANZUGSMOMENT **(M16x1.5) COUPLE DE SERRAGE COPPIA DI SERRAGGIO	max.45 Nm
C	TORQUE ANZUGSMOMENT ***(M22x1.5) COUPLE DE SERRAGE COPPIA DI SERRAGGIO	max.70Nm (EXCEPT SW27)
	SERVICE CONDITION BETRIEBSART CONDITION DE SERVICE CONDIZIONE DI SERVIZIO	CONTINUOUS SERVICE DAUERBETRIEB SERVICE CONTINU SERVIZIO CONTINUO
	MAINTENANCE REQUIREMENTS WARTUNGSANFORDERUNGEN ENTRETIEN MANUTENZIONE	NONE KEINE NON NON
D	PORT FOR EMERGENCY ANSCHLUSS FUER VORRATSLEITUNG ORIFICE POUR LIGNE D'URGENCE ORIFIZIO PER LINEA D'EMERGENZA	1
	PORT FOR SERVICE LINE ANSCHLUSS FUER BREMSLEITUNG ORIFICE POUR SERVICE LIGNE ORIFIZIO PER SERVIZIO LINEA	4

MATERIAL AND SURFACE PROTECTION		
I	Al JED-029M1	C JED-259
II	Fe JED-022M1	Zn JED-256-4
III	Fe JED-004M	C JED-260
IV	Fe JED-020-1	Zn/Fe JED-256-1
V	Fe JED-050MO	---
VI	Fe JED-020-1	Zn/Fe JED-256-1
VII	Fe 14H	Zn/Al JED-378-4 ①
VIII	Fe JED-020-1	Zn/Fe JED-256-1



\* WIDTH ACROSS FLATS  
① SCHLUESSELWEITE . . . . . SW27  
SURPLATS  
LARGHEZZA IN CHIAVE

INSTALLATION POSITION RANGE  
EINBALLGEBEREICH . . . . . MAX±30°  
POSITION D'INSTALLATION GAMME  
POSIZIONE DI MONTAGGIO CAMPO



Non è permesso copiare o riprodurre questo documento, né utilizzare il contenuto o i contenuti copiate, senza permesso scritto dalla WABCO. Toute communication ou reproduction de ce document, toute exploitation ou communication de son contenu sont interdites, sauf autorisation écrite de la WABCO. No es permitido copiar o reproducir este documento, ni utilizar el contenido o los contenidos copiados, sin el consentimiento escrito de WABCO.

General Specifications: JED-334-0		Copyright WABCO®		<b>WABCO</b>	
Further Technical Data:		Date	Signature	Doc. Code Language Sheet	
Doc. Code: Sheet: To:		2011-12-02	Balogh	005 ML 1/1	
General Tolerances JED-261		Checked	Hlodik	Date of first issue:	
Range of Nominal Dimensions ( ± mm)		Expert		Doc. Code Language Sheet	
Class 1) ≤ 50 > 50 > 180 > 400 > 400		BUCZYKO		005 ML 1/1	
Fine	0.5 1.0 1.5 2.0	Metric	Scale	Material No. Date of first issue:	
Medium	1.0 2.0 3.0 4.0	X	1:1	452 803 005 0	
Coarse	2.0 3.5 5.0 6.5	Coarse	±3°	Replacement for	
Tapped Holes acc. JED-152		Size	Pro/E	ECN No. Revision Techn. Resp.	
1) Tolerance Class Applied Crossmarked		A 1	155975	2 0 5711	